

Purchaser Information

First Name _____ Last Name _____
 Street Address _____
 City _____ State _____ Zip _____
 Daytime Phone _____ Evening Phone _____
 E-Mail Address _____

Delivery Information (If different)

First Name _____ Last Name _____
 Street Address _____
 City _____ State _____ Zip _____
 Daytime Phone _____ Evening Phone _____
 E-Mail Address _____

Custom Cover Specifications

Spa Make & Model (if known) _____

Lip Height (skirt/flap length) _____

Please select the shape of your spa:

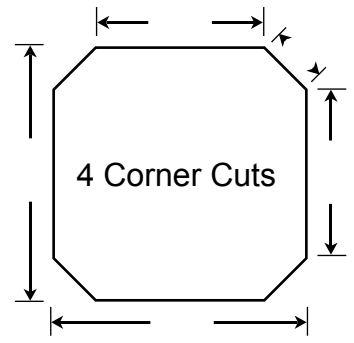
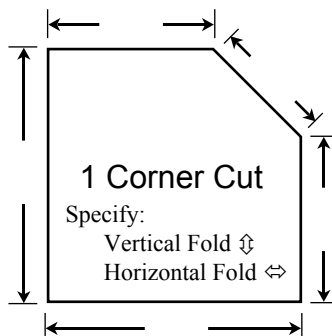
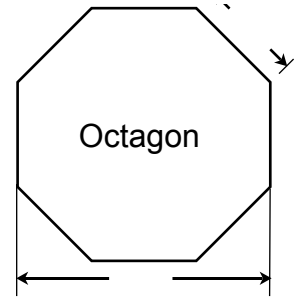
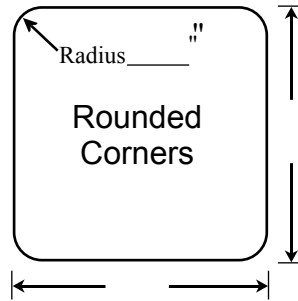
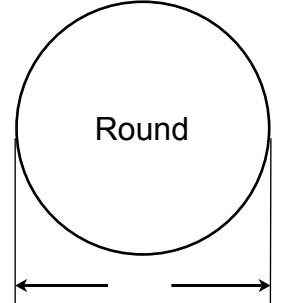
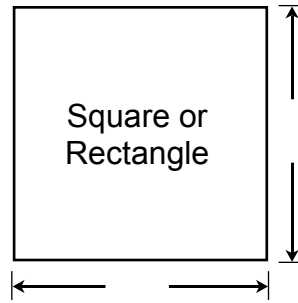
Please note that the dotted lines indicate the cover fold. Specify in the Special Instructions section if you require your fold to be different than shown. As these are custom made, we will not be able to accept returns. **Please measure and enter your measurements accurately!**

Please select a cover type:

Economy (3"-2" foam)
 Standard (4"-2" foam)

Deluxe (4"-2" foam)
 Ultra (4"-2" foam*)

Please select a color for your new spa cover:
 (Actual colors may vary from samples shown)



Special Instructions:

After clicking the submit button, your order will be forwarded for processing. If you have not already placed this cover in your shopping cart and checked out, please do so now. Your order will not be processed until you have completed checkout. Please print a copy of this order for your records.